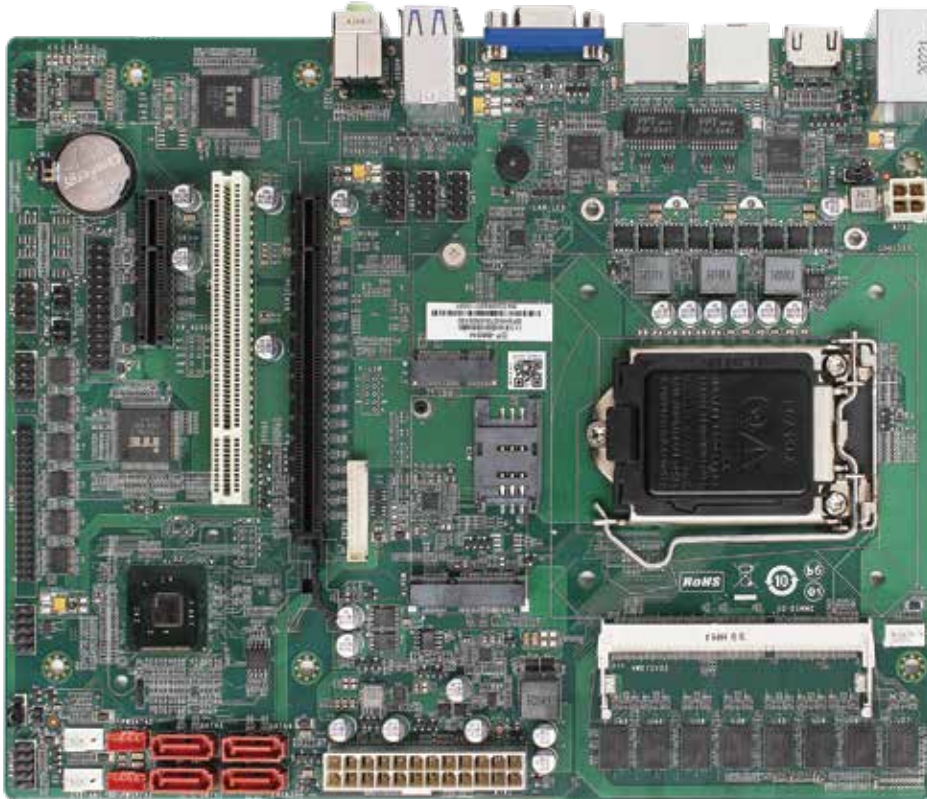


HWD70

Intel Haswell LGA1150 Based Embedded Motherboard with PCH B85



HWD70V05

Features

- Intel Haswell CPU + PCH B85
- Memory: dual channel DDR3 (max 16 GB)
- Display: HDMI1.4 + VGA + VGA (onboard pins)
- Ethernet: Support dual 1GbE ethernet cards
- Storage: SATA3.0, SATA2.0, mSATA,
- Expansion: M.2, PCIe X4, PCIe X16, PCI
- Power: ATX_24PIN + 4PIN



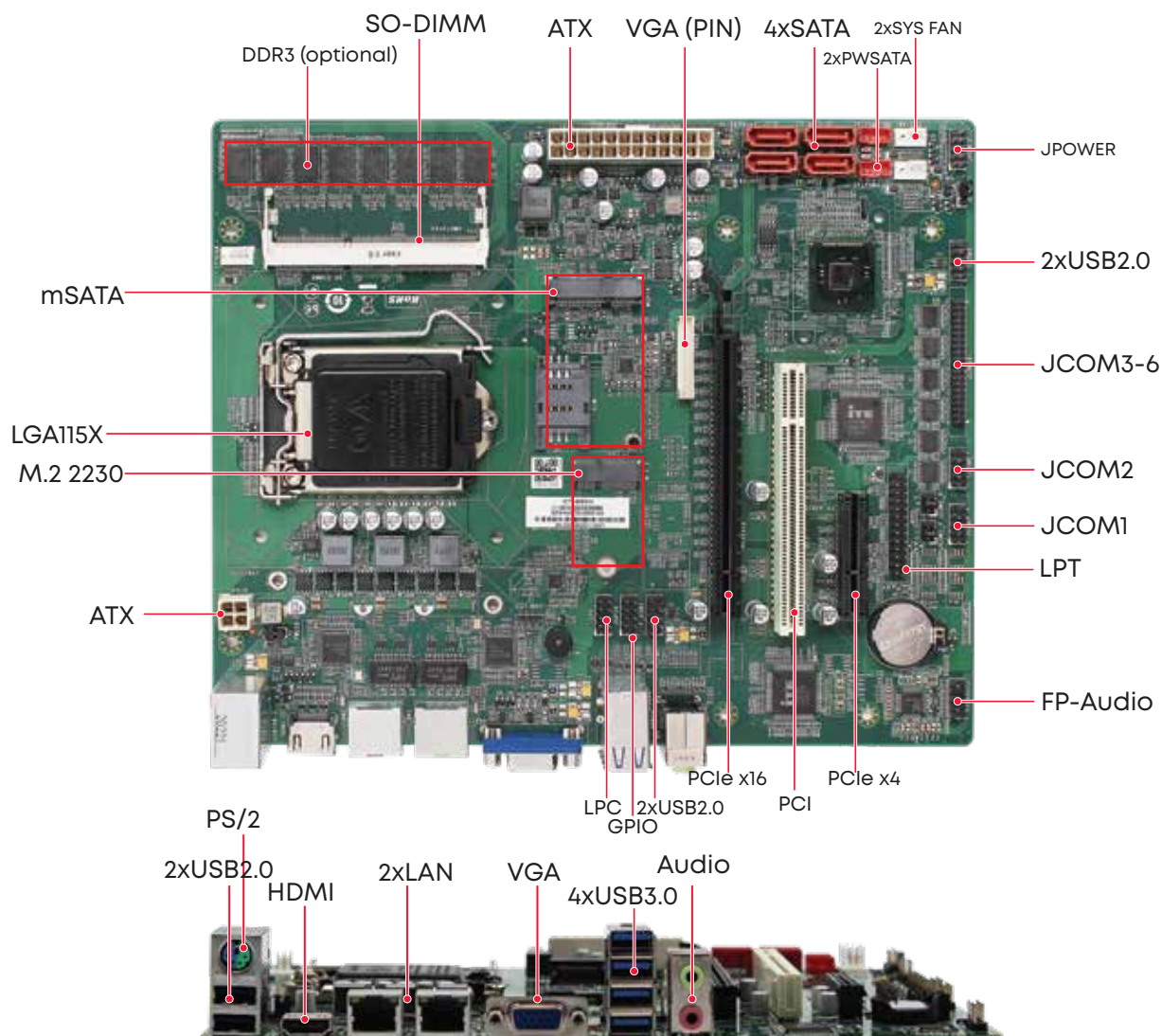
Introduction

The HWD70 is a micro ITX motherboard based on the Intel Haswell LGA1150 CPU with B85 chipset. It's designed with rich interfaces to meet all kinds of requirements for data processing, transmission, and displaying.

The high performance and low power consumption reach a balance and make it suitable for various complicated application scenarios. What's more, the customization, including onboard DDR, 4G module, Wi-Fi, is also optional for customers.



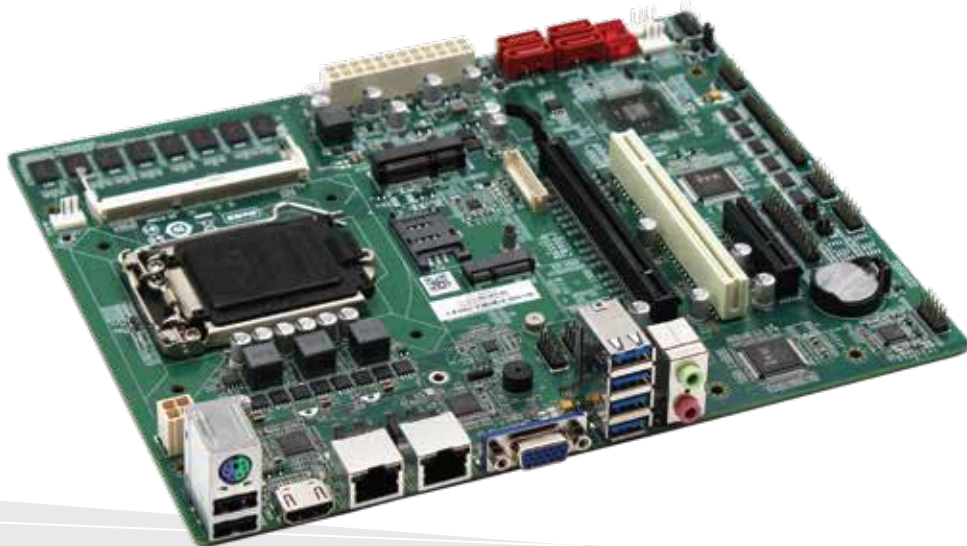
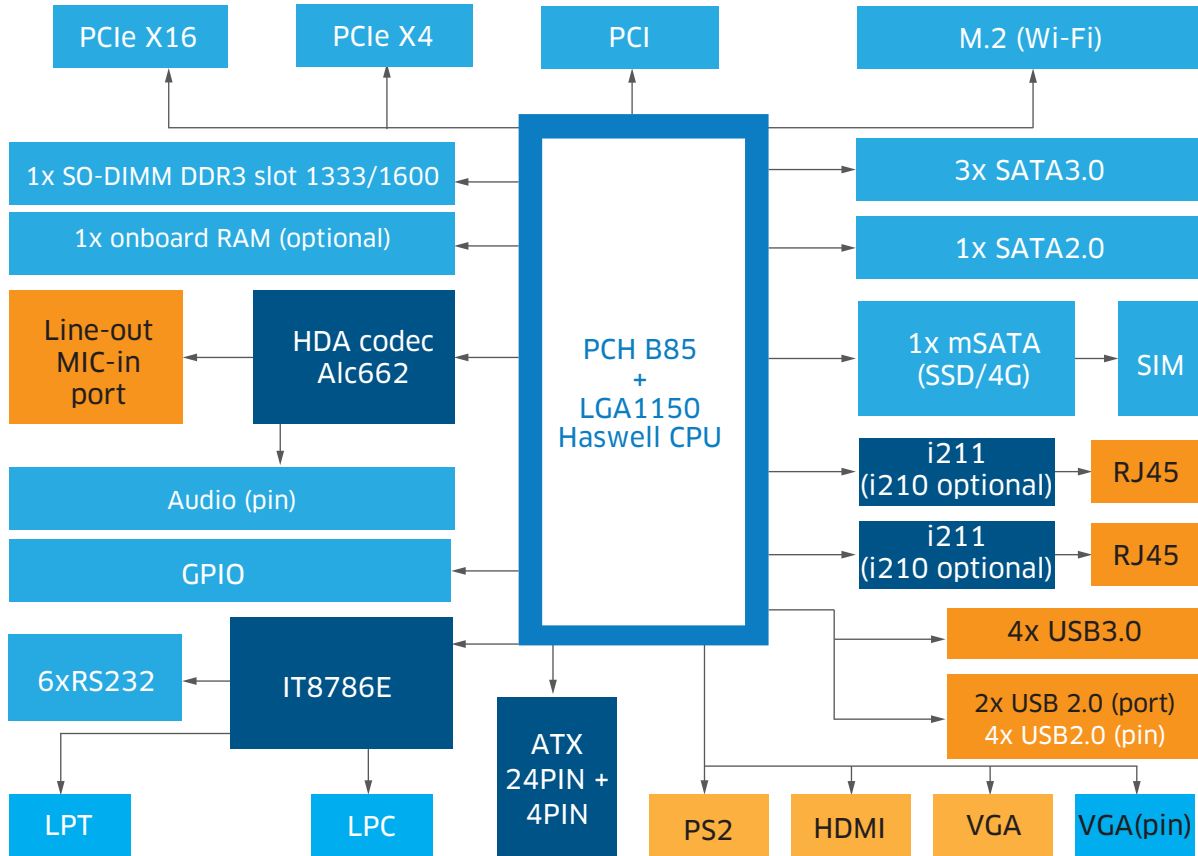
I/O Interfaces



Technical Specifications

Processor	CPU	LGA1150 CPU
	Chipset	PCH B85
	BIOS	AMI 8MB UEFI BIOS
Memory	Type	1 SO-DIMM DDR3 slot + 1 on-board DDR3 (optional, 4G or 8G)
	Max capacity	16GB
Display	GPU	Intel HD Graphics (based on CPU)
	Port	1x HDMI + 1x VGA+ 1x VGA (on-board pin)
Ethernet	Speed	10/100/1000 Mbps
	Controller	Intel i211 (i210 optional)
	Interface	2x RJ45
Audio	Audio codec	Realtek HD ALC662
	Interface	Line-out, mic-in, audio header
Hardware		CPU and system temperature, on-board voltage, watchdog
Storage	SATA	1x SATA2.0 + 3x SATA3.0
	mSATA	1x mSATA3.0 (4G module optional)
Expansion	M.2	1x M,2_E (2230 for Wi-Fi)
	PCI	1x PCI
	PCIe	1x PCIe16 + 1x PCIe4
I/O	USB	2x USB2.0 + 4x USB3.0
	LAN	2x LAN
	HDMI	1x HDMI
	VGA	1x VGA
	Audio	1x mic-in + 1x line-out
	PS2	1x PS/2 (for PS/2 keyboard and mouse)
	COM	6x COM (COM1 and COM2 can be RS485/RS422)
Internal I/O	USB	4x USB2.0
	GPIO	1
	LPT	1
	LPC	1
	Dimension	Size
Board type		Micro ITX
Power	Standard port	ATX_24PIN + 4PIN
Temperature	Operating Temp.	-40°C to 60°C
	Storage Temp.	-40°C to 60°C
Cooling method		Active (Fan)
Operating System		Windows 7/8.1/10, Linux

Functional Block Diagram



Copyright © 2018 Maxtang Technology Co. Ltd. All rights reserved. All data is for information purposes only and not guaranteed for legal purposes. Information has been carefully checked and is believed to be accurate however, no responsibility is assumed for inaccuracies. Maxtang and the Maxtang logo and all other trademarks or registered trademarks are the property of their respective owners and are recognized.